



	W65	W80	W100
	65 l	80 l	100 l
1:9	7 kg	9 kg	11 kg
1:10	6.5 kg	8 kg	10 kg

### Equipment

- Freestanding, high-speed washing machine
- Powder-coated steel housing, matt grey
- Stainless steel drum and outer drum
- Intuitive operation with 4.3-inch colour display
- Control system «Expert»
- Ergonomic detergent dispenser
- Laundry trap protection
- Convenient loading/unloading through large doors
- Hot water connection
- Drain valve
- Time preselection up to 7 weekdays
- 24 languages
- Autoclean

### Options

- Control system «Expert+»
- Stainless steel housing
- USB interface
- Connection for 8 liquid detergent dosing pumps
- Machine plinth 280 mm
- Machine plinth with lint filter drawer
- Drain pump
- Machine hygiene monitoring via USB
- PrePaid Card System (RFID)
- Art-Line (anthracite)

### Property and benefits



- Compact, robust and durable quality product
- Low-maintenance, saves costs
- Environmentally friendly WetClean



- Fast washing cycles
- Proficlean
- Freely programmable washing programmes
- Intuitive control panel
- Simple, safe operation



- Hygiene safety
- Disinfection programmes
- Hygiene monitoring
- Perfect washing results

# Technical data proLine W65 / W80 / W100

Company or brand name		Schulthess		
<b>Device type</b>		<b>Washing machine</b>		
<b>Type or sales description</b>	<b>proLine</b>	<b>W65</b>	<b>W80</b>	<b>W100</b>
Product no.		4201.1	4202.1	4203.1

## Properties

Fill ratio (1:9)	kg	7	9	11
Filling quantity (1:10)	kg	6,5	8	10
Drum volume	l	65	80	100
Drum opening	Ø mm	355	355	355
Drum diameter	mm	517	517	517
Drum depth	mm	302	372	464
Spin speed	rpm	1200	1200	1200
g-factor		416	416	416
Residual moisture	%	46	46	46
Programme duration cold water connection (min.) <sup>2)/5)</sup>		52	55	57
Programme duration hot water connection 70 °C (min.) <sup>2)/5)</sup>		46	47	48
Energy consumption <sup>3)/4)/5)</sup>	kWh	1,1/0,34	1,5/0,42	1,7/0,42
Water consumption <sup>2)/5)</sup>	l	56	67	90

## Electrical installation

Supply voltage	V	400 3N~/50 Hz	400 3N~/50 Hz	400 3N~/50 Hz
Connected load	kW	9,4	9,4	9,4
Electric heating	kW	9,0	9,0	9,0
Drive	kW	1,0	1,0	1,0
Protection	AT	16	16	16

## Sanitary installation

Water pressure on site	MPa	0,15 – 1,0	0,15 – 1,0	0,15 – 1,0
Cold water hard inflow ¾-inch	l/min	> 13	> 13	> 13
Hot water supply from central boiler max. 70 °C ¾-inch	l/min	> 13	> 13	> 13
Drain quantity drain valve Ø 50 mm	l/min	260	260	260
Drain pump Ø 22 mm	l/min	32	32	32

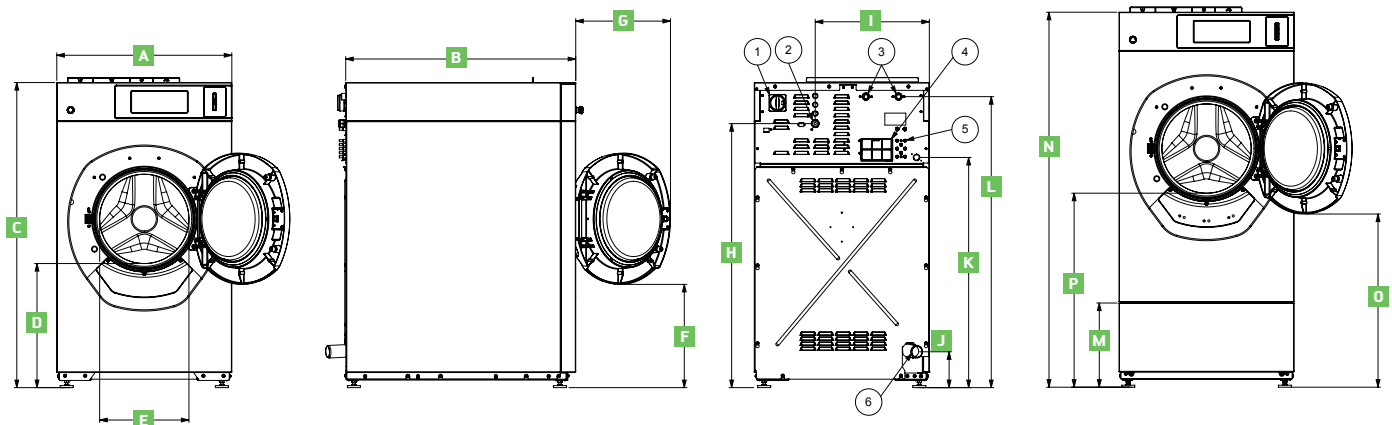
## Control system

	Expert / Expert+	Expert / Expert+	Expert / Expert+
Standard programmes	•/•	•/•	•/•
24 programmes, freely programmable	•/•	•/•	•/•
ProfiClean sets	-/•	-/•	-/•
Disinfection programmes	-/•	-/•	-/•
WetClean programmes	-/•	-/•	-/•

- 1 Main switch
- 2 Electrical connection
- 3 Water connection
- 4 Overflow / Venting
- 5 Connection for liquid detergent
- 6 Drain pipe

### Explanations:

- not available • available <sup>2)</sup>Cotton 60 °C without pre-wash <sup>3)</sup>Cotton 60° prg. cold water <sup>4)</sup>Cotton 60° prg. hot water 70° <sup>5)</sup>Drain valve



## Dimensions

	A	B	C	D	E	F	G	H	I	J	K	L	M	N	O	P	Weight (kg)
<b>W65</b>	696	820	1210	500	355	410	380	1050	455	150	915	1160	330	1490	690	780	200
<b>W80</b>	696	820	1210	500	355	410	380	1050	455	150	915	1160	330	1490	690	780	210
<b>W100</b>	696	915	1210	500	355	410	380	1050	455	150	915	1160	330	1490	690	780	220